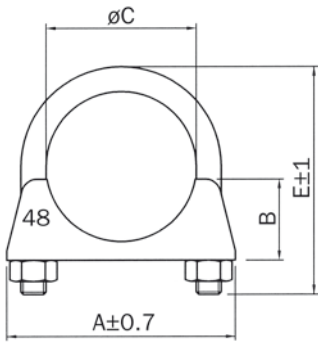


Pipe Clamp, M8



Our standard M8 pipe clamps meets the quality standards, which are suitable for use with a wide range of pipe diameters. Pipe clamps are not used only in exhaust systems. Other applications include TV aerials, road signs etc. M10 pipe clamps are available to order as well as other sizes of M8 pipe clamps.

Material: Electro zinc plated steel.



Size	A±0.7	B	C	E±1
25	50	16	25	52
28	53	17.5	28	54
32	57	19	32	60
35	60	20	35	63
38	63	22	38	65
42	67	23.5	42	69
45	70	25.5	45	71
48	73	26	48	73
51	76	26.5	51	76
54	79	28	54	79
57	82.5	29	57	83

Larger sizes on request